

NEW GRANULAR ROOF
ON NEW 5/8 PLY SHEATHING

NEW 2X8 WOOD RAFTERS
@ 24" OC

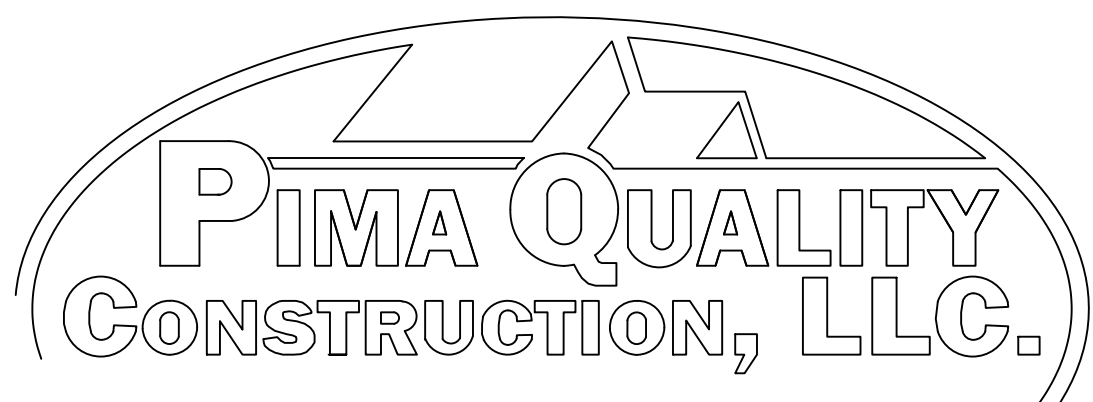
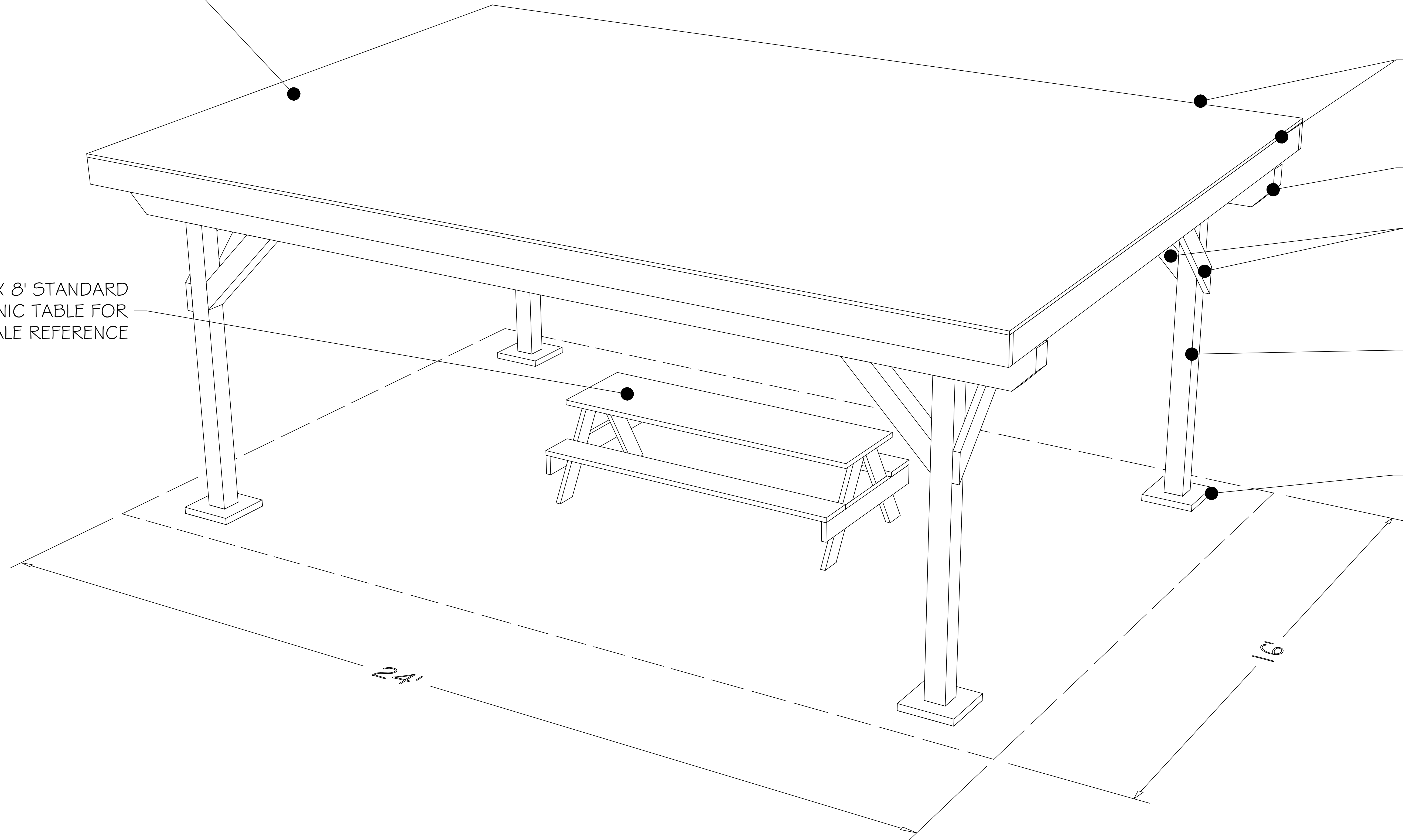
NEW 6X12 WOOD BEAM

NEW 2X # 6X
WOOD BRACING

NEW 6X6
WOOD POST

NEW 16" SQUARE
CONCRETE FOOTING
WITH REBAR

5' X 8' STANDARD
PICNIC TABLE FOR
SCALE REFERENCE



16' X 24' FREE-STANDING GAZEBO